



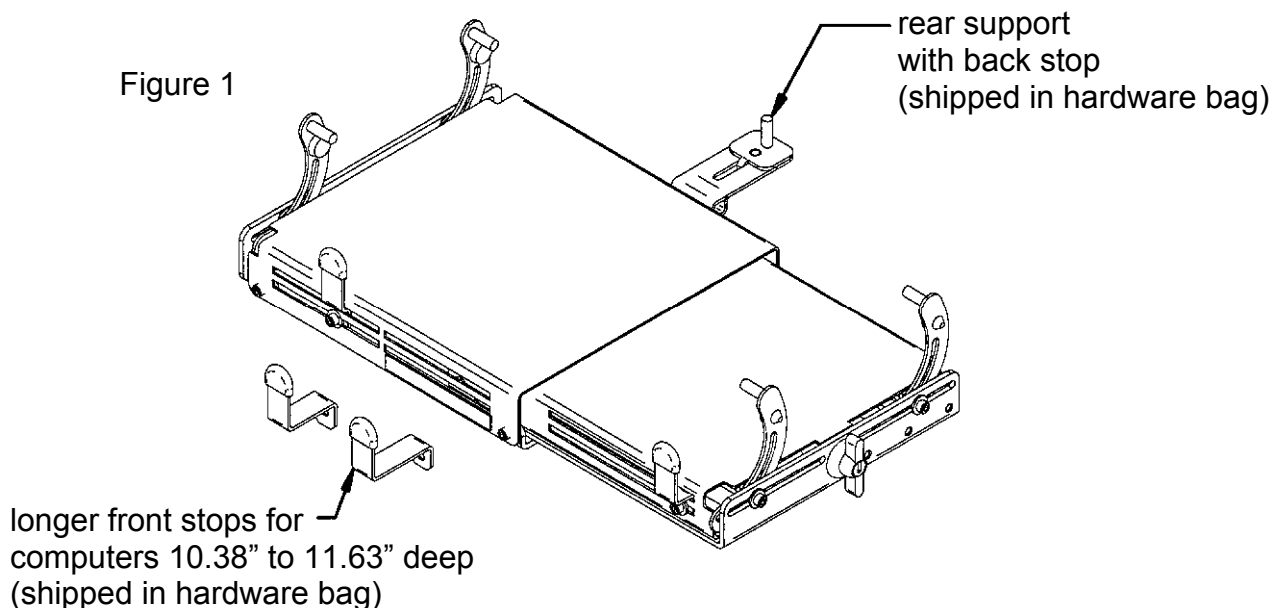
303 MESSNER DR. • WHEELING, IL • 60090  
 847-459-1460 • FAX 847-459-1569  
 WWW.LUND-INDUSTRIES.COM

## Installation Instructions For ULTP4

The ULTP4 is a universal computer mount for virtually any notebook computer. ULTP4 will accommodate computers anywhere from 8.25" to 13.63" wide, depths from 8.0" to 11.63", and a thickness of up to 2.44".

### Assembly of the rear support (See Figure 1)

1. Install the rear support to the backside on the ULTP4 in the same manner that the front retainers are assembled. Insert the bottom flange of the rear support (the flange with the pem nut inserted into it) into one of the top slots. Rotate the bracket up so the top surface of the bracket is flush with the top surface of the ULTP4. The pem nut should now be visible through the lower slot.
2. Fasten the bracket in place with the 8/32 x 3/8" long socket head cap screw and flat washer that were provided in the hardware bag. Leave the screw loose to allow for final adjustment at a later time.
3. Attach the back stop to the rear support bracket with the 10/32 nylok nut and flat washer that were supplied in the hardware bag. Leave the bracket a little loose to allow for final adjustment at a later time.



## Adjusting the ULTP4 for the computer (See Figure 2)

1. Loosen the adjustment screws which fasten the hold-down clips in place
2. Loosen the screw lock by turning the “wing turn” counter clockwise 3 to 4 turns.
3. Grab both sides of the ULTP4 and pull the unit apart to extend it to its widest extent.
4. Place the computer on top of the ULTP4. Slide the computer tight up against the front retainer and the extended front retainer.
5. Slide the computer to the left side of the ULTP4 until it bumps up against the hold-down clips. Adjust the left side hold-down clips so the stud with the rubber sleeve will just clear the top of the computer and tighten in place. A snug fit is preferred. Be sure not to cover any ports on the computer that will be used.
6. Grab both sides of the ULTP4 and push the unit back together until the right side hold-down clips bump up against the computer. Adjust the right side hold-down clips in the same manner as on the left side.
7. While pushing the unit together (compressing the computer between the hold-down clips) turn the “wing turn” screw lock 3 to 4 turns clockwise. This will hold the unit in the compressed state.
8. Adjust the rear support to the location which best fits your needs, and tighten in place.
9. Adjust the back stop so it prevents the computer from moving back. Be sure not to cover any ports on the computer that will be used.

## Locking the ULTP4:

1. The “wing-turn” screw lock is adjustable every 90 degrees. Set the wings in the vertical or horizontal planes and rotate the key 180 degrees to lock or unlock the unit.

