



303 MESSNER DR. • WHEELING, IL • 60090
847-459-1460 • FAX 847-459-1569
WWW.LUND-INDUSTRIES.COM

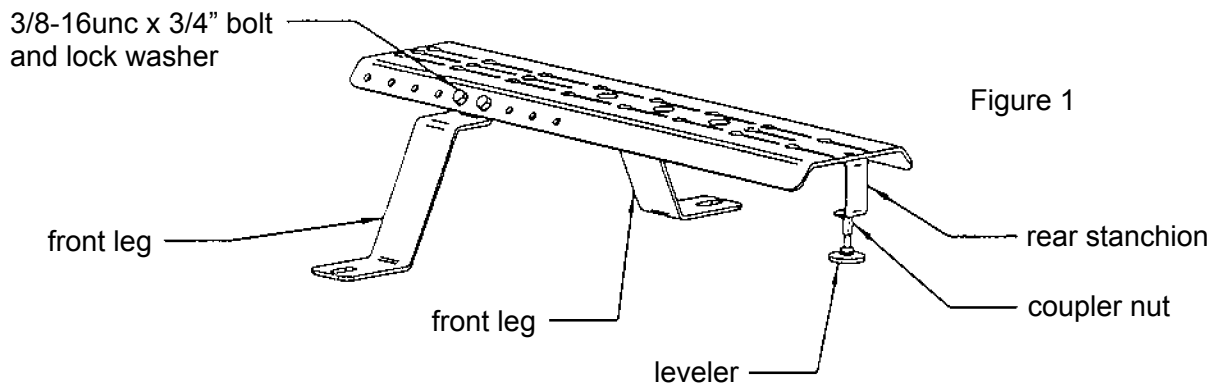
Rev. 1/05

Installation Instructions For SUTA2-BASE

SUTA2-BASE (Chevy Silverado, Tahoe, & Suburban) is a no-holes base. The base mounts under the driver and passenger bucket seats and is compressed to the floor using the seat bolts.

Assembling the SUTA2-BASE:

1. Bolt the front legs to the top plate in the approximate location they will be in with the 3/8-16unc x 3/4" long bolts and lock washers provided in the hardware bag (see figure 1).
2. Bolt the rear stanchion to the top plate using the 1/4-20unc x 3/4" flat head machine screw, flat washer, and lock nut provided in the hardware bag (see figure 1).
3. Attach the leveler to the bottom of the rear stanchion with the 1/4-20unc x 1/2" flat head machine screw and 7/8" long coupler nut provided in the hardware bag (see figure 1).



Mounting the SUTA2-BASE:

1. Unbolt the front bucket seats and lift them off the seat studs so that you can remove the center console or the smaller interior seat.
2. Place the assembled Suta2-Base over the transmission hump so that the front seat studs come up through the slots in the front legs.
3. Reposition the bucket seats and bolt back into place.
4. Adjust the leveler to tighten if needed.