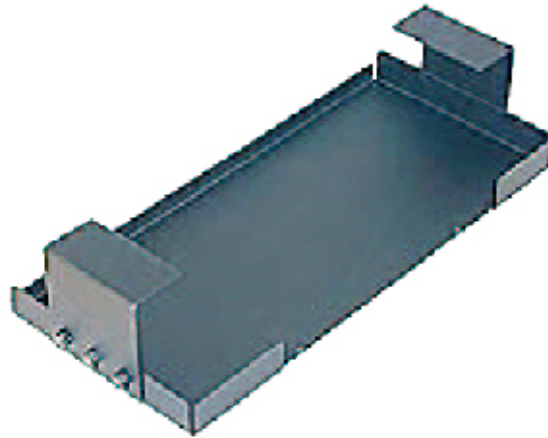




303 MESSNER DR. • WHEELING, IL • 60090
847-459-1460 • FAX 847-459-1569
WWW.LUND-INDUSTRIES.COM

PRBKT-HP450 HP450 Printer Mount



The PRBKT-HP450 printer mount securely mounts the HP450 printer to the PM-KBAD or PM-CPU adapter mounting platforms (ordered separately) as well as to any motion attachment or assembly. To secure the HP450 printer into the mount, simply remove the side hold-down brackets, insert the printer and firmly reattach the hold-down brackets. The mount is constructed of powder coated steel and features padding on all contact points. Its lightweight design means the mount weighs only 2.3 lbs.

