



303 MESSNER DR. • WHEELING, IL • 60090
 847-459-1460 • FAX 847-459-1569
 WWW.LUND-INDUSTRIES.COM

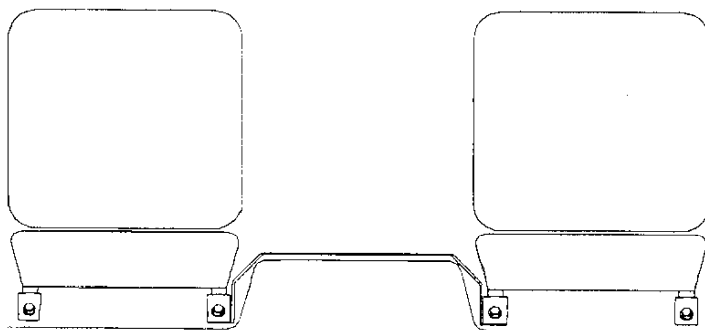
Installation Instructions For 1994-1999 GMC Sierra and Yukon & 1994-Newer Chevy 2500, 3500 C/K FP-58 Base

The FP-58 is a no-holes passenger side base.

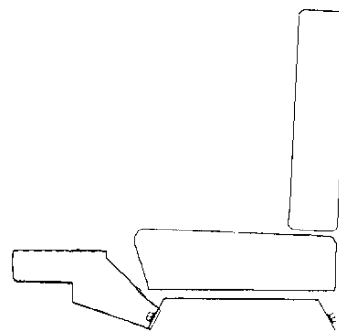
Installing a no-holes base does not require drilling any holes into the vehicle.

Installing the FP-58 Base in the vehicle:

1. Place both front seats of the vehicle in their most rearward position.
2. Remove the following fasteners that hold the seats down to the vehicle floor: Front right seat fastener on driver's side and front left seat fastener on passenger's side.
3. while lifting seat up slightly, slide the FP-58 base in between the vehicle floor and the seat. The platform portion of the base should be positioned toward the front of the vehicle.
4. Line up the holes, (some bases have slots which allow front-to-back or side-to-side adjustment) re-install the seat fasteners and tighten, securing both the seats and the FP-58 Base to the floor.



Inner seat mounting bolts



Inner seat mounting bolts