



303 MESSNER DR. • WHEELING, IL • 60090
847-459-1469 • FAX 847-459-1569
WWW.LUND-INDUSTRIES.COM

CV-CSM- Crown Victoria Dash Mount Installation Instructions**

Lund Industries, Inc is pleased to announce its new multi-platform in-dash mount for 1997-2003 Ford Crown Victoria. The CV-CSM easily mounts in place of the factory AM-FM radio and allows Motorola MW-520, Panasonic PDRC, Xplore GII, Palomar and other displays to be mounted on the dash, enabling easy access to touch screens and other functions. The unit tilts for ease of viewing under high ambient light conditions. The CV-RRL Radio Relocator Bracket repositions the factory radio under the dash, with cutouts for trunk release and power plug in the side.

Installation Instructions

1. Remove dash trim under radio and around heater controls.
2. Remove factory radio.
3. Remove ashtray.

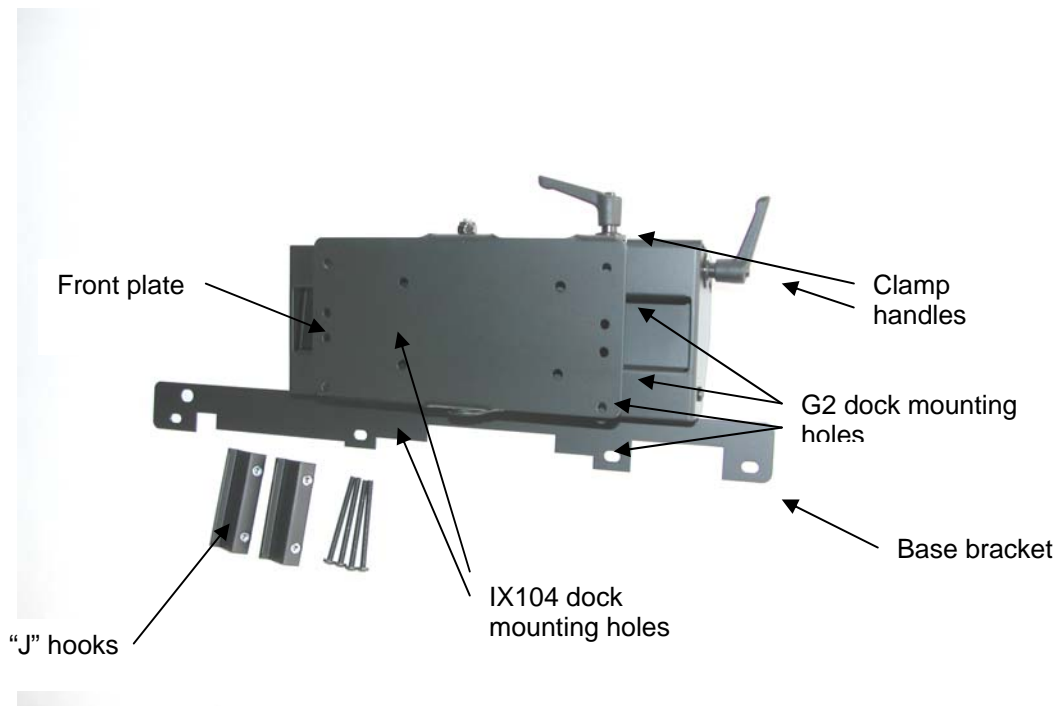
Note: on 2003 Crown Victoria ashtray's the lower accessory plug panel also needs to be removed. There are 4 screws holding it in place. Also the metal cross brace needs to be removed. Metal snips will easily cut this.

4. Route radio cables down to ashtray area.
5. Install radio relocate bracket in ashtray slot. Bracket slides into ashtray rails. Secure bracket with (2) screws.
6. Plug in radio connectors & snap radio into bracket. A 6-32 x 1" set screw (provided) can be tightened against the top of the radio chassis to prevent rattling if necessary.
7. Remove (4) dash screws (located under trim panel) and mount bracket using the factory screws.
8. Install (2) "U" clips into radio slot and secure by tightening bolts provided. "U" clips attach to the black plastic around radio opening. Make bolts secure but **do not over tighten** as plastic could crack.

Note: Separating the face plate from the mounting bracket will make monitor installation easier.

9. Re-install trim. (No cutting needed)
10. Mount monitor to face panel securely.
11. The plastic handle on side of mount allows monitor to tilt up and down for best viewing.

CROWN VICTORIA IN-DASH COMPUTER MOUNT SYSTEM



Lund Part # CV-CSMTS-XP
Xplore Part # 04-01094

14ga. steel base bracket
19.0" overall length x 6.0" high x 3.75" overall depth
12ga. steel front faceplate
8.125" wide x 4.0" high
Faceplate swivels 12 degrees left and 12 degrees right from center
Faceplate tilts 30 degrees from vertical
2 clamp handles lock faceplate in desired position
Faceplate has mounting holes to allow attaching Genesis G2 dock and iX104 docking cradle
8-.230"dia. holes on 7.25" x 1.875" centers allow mounting G2 dock
4-.266"dia. holes on 4.0" x 2.0" centers allow mounting iX104 dock
Shipped as an assembled unit with 2-"J" hooks and 4- 10-32 x 2-1/2" screws
Finish: Morton Solar Black
Weight: 3.5 lbs.